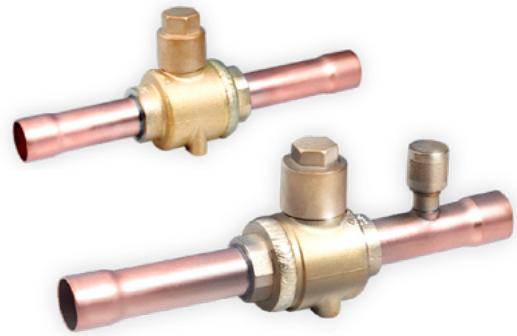


SBV SERIES**BALL
VALVE**

The ball valve of series SBV is applicable for commercial air conditioner, freezing or deep-freezing equipment or other refrigeration circuits in order to open and to shut off inner flow path by operating the valve stem. It can also be used as service valve for vacuum pumping and refrigerant injection etc.

**FEATURES**

- STRAIGHTWAY TYPE, FULL PORT, LOW PRESSURE DROP , COST-EFFECTIVE
- VALVE BODY AND VALVE SEAT WITH WELDED STRUCTURE, WITH HIGH PRODUCT RELIABILITY
- ROTATE 1/4 CIRCLES FROM FULL-OPEN TO FULL-CLOSE, EASY TO OPERATE
- BI-DIRECTIONAL FLOW
- ROTATION STOP ON REQUEST FOR FULL-OPEN AND FULL-CLOSE OF THE VALVE FOR SIZES \geq SBV-11
- SPECIAL SEALING MATERIALS TO PREVENT INTERNAL LEAKAGE

GENERAL SPECIFICATIONS

- Applicable for all common HCFC, HFC and HFO refrigerants such as: R134a, R404A, R407A/C/F, R410A, R507A, R448A, R449A, , R452A, R1234ze(E), R290,...
- Medium temperature TS min./max.: -40°C / +120°C
- Max. operating pressure PS: 4,9 MPa (49 bar)
- Installation position: liquid, suction and discharge line in all directions
- Certifications: UL/CSA and PED declaration

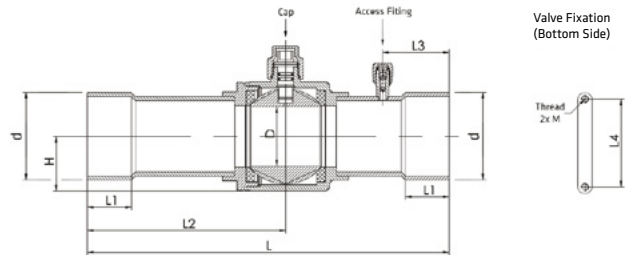

GENERAL CHARACTERISTICS
1. Standard SBV models with FULL PORT passage

Without Access Fitting		Connections Ø d ODF		Kv	Wrench Size Cap	PED category		With Access Fitting	
Model	Part Number*	[inch]	[mm]	[m ³ /h]	[mm]	Fluids Group 1	Fluids Group 2	Model	Part Number*
SBV02-020T	10150130002	-	6	1,9	19	4.3	4.3	SBV02-320T	10150130102
• SBV02-019T	10150129402	1/4	-	1,9	19	4.3	4.3	SBV02-319T	10150129902
SBV03-019T	10150129302	3/8	-	5,5	19	4.3	4.3	SBV03-319T	10150130602
SBV03-020T	10150130202	-	10	5,5	19	4.3	4.3	SBV03-320T	10150130302
SBV04-020T	10150129802	-	12	7,3	19	4.3	4.3	SBV04-320T	10150130502
• SBV04-019T	10150129702	1/2	-	7,3	19	4.3	4.3	SBV04-319T	10150130402
SBV(M)-A5YHSY-2-SA	10150057602	-	15	13,8	14	4.3	4.3	SBV(M)-JA5YHSY-2-SA	10150057702
SBV(M)-A5YHSY-1-SA	10150053302	5/8	16	13,8	14	4.3	4.3	SBV(M)-JA5YHSY-1-SA	10150053402
SBV(M)-A6YHSY-2-SA	10150054602	-	18	20,6	17	4.3	4.3	SBV(M)-JA6YHSY-2-SA	10150054502
SBV(M)-A6YHSY-1-SA	10150054302	3/4	-	20,6	17	4.3	4.3	SBV(M)-JA6YHSY-1-SA	10150054202
SBV(M)-A7YHSY-1-SA	10150053502	7/8	22	29	17	4.3	4.3	SBV(M)-JA7YHSY-1-SA	10150053602
SBV(M)-A9YHSY-2-SA	10150055102	-	28	54,3	17	II	4.3	SBV(M)-JA9YHSY-2-SA	10150055202
SBV(M)-A9YHSY-1-SA	10150054702	1 1/8	-	54,3	17	II	4.3	SBV(M)-JA9YHSY-1-SA	10150054802
SBV(M)-A11YHSY-1-SA	10150055002	1 3/8	35	85,5	17	II	4.3	SBV(M)-JA11YHSY-1-SA	10150054902
SBV(M)-A13YHSY-2-SA	10150055502	1 5/8	-	133,7	17	II	I	SBV(M)-JA13YHSY-2-SA	10150055402
SBV(M)-A13YHSY-1-SA	10150055302	-	42	133,7	17	II	I	SBV(M)-JA13YHSY-1-SA	10150057802
SBV(M)-A17YHSY-1-SA	10150055702	2 1/8	54	225	19	II	I	SBV(M)-JA17YHSY-1-SA	10150055802
SBV(M)-A19YHSY-1-SA	10150055902	-	64	225	19	II	I	SBV(M)-JA19YHSY-1-SA	10150056002
SBV(M)-A21YHSY-2-SA	10150056302	2 5/8	-	380	19	II	I	SBV(M)-JA21YHSY-2-SA	10150056402
SBV(M)-A25YHSY-2-SA	10150056502	3 1/8	80	530	24	II	I	SBV(M)-JA25YHSY-2-SA	10150056602
SBV(M)-A29YHSY-1-SA	10150057002	3 5/8	92	700	24	II	I	SBV(M)-JA29YHSY-1-SA	10150056902
SBV(M)-A33YHSY-2-SA	10150056102	4 1/8	105	950	29	II	I	SBV(M)-JA33YHSY-2-SA	10150056202
SBV(M)-A34YHSY-1-SA	10150057102	4 1/4	108	950	29	II	I	SBV(M)-JA34YHSY-1-SA	10150057202

- Note:**
- SBV model with different connection sizes available on request
 - * Available also as industrial package. Contact Sanhua for more details



DIMENSIONS & WEIGHT



Part Number		L	L1	L2	L3 ¹⁾	L4	D	H	M	Weight
Without Access Fitting	With Access Fitting	[mm]	[mm]	[mm]	[mm]	[mm]	[mm]	[mm]	[mm]	[kg]
SBV02-020T	SBV02-320T	132	10	68	31	16	10	14	M4 x 0,7	0,20
SBV02-019T	SBV02-319T	132	10	68	31	16	10	14	M4 x 0,7	0,20
SBV03-019T	SBV03-319T	132	10	68	31	16	10	14	M4 x 0,7	0,20
SBV03-020T	SBV03-320T	132	10	68	31	16	10	14	M4 x 0,7	0,20
SBV04-020T	SBV04-320T	160	10	85	42,5	16	10	14	M4 x 0,7	0,21
SBV04-019T	SBV04-319T	160	10	85	42,5	16	10	14	M4 x 0,7	0,21
SBV(M)-A5YHSY-2-SA	SBV(M)-JA5YHSY-2-SA	160	13	85	31	22	14	16	M4 x 0,7	0,30
SBV(M)-A5YHSY-1-SA	SBV(M)-JA5YHSY-1-SA	160	13	85	31	22	14	16	M4 x 0,7	0,30
SBV(M)-A6YHSY-2-SA	SBV(M)-JA6YHSY-2-SA	185	16	99	37	30	19	20	M4 x 0,7	0,51
SBV(M)-A6YHSY-1-SA	SBV(M)-JA6YHSY-1-SA	185	16	99	37	30	19	20	M4 x 0,7	0,51
SBV(M)-A7YHSY-1-SA	SBV(M)-JA7YHSY-1-SA	185	17	99	37	30	19	20	M4 x 0,7	0,52
SBV(M)-A9YHSY-2-SA	SBV(M)-JA9YHSY-2-SA	208	21	112	44	38	25	25	M4 x 0,7	0,73
SBV(M)-A9YHSY-1-SA	SBV(M)-JA9YHSY-1-SA	208	21	112	44	38	25	25	M4 x 0,7	0,73
SBV(M)-A11YHSY-1-SA	SBV(M)-JA11YHSY-1-SA	251	25	136	44	48	32	31	M6 x 1,0	1,42
SBV(M)-A13YHSY-2-SA	SBV(M)-JA13YHSY-2-SA	281	28	151	56	55	38	35	M6 x 1,0	1,90
SBV(M)-A13YHSY-1-SA	SBV(M)-JA13YHSY-1-SA	281	28	151	56	55	38	35	M6 x 1,0	1,90
SBV(M)-A17YHSY-1-SA	SBV(M)-JA17YHSY-1-SA	305	34	167	56	74	50	46	M6 x 1,0	3,74
SBV(M)-A19YHSY-1-SA	SBV(M)-JA19YHSY-1-SA	305	34	167	70	74	50	46	M6 x 1,0	3,79
SBV(M)-A21YHSY-2-SA	SBV(M)-JA21YHSY-2-SA	305	37	167	56	74	60	56	M6 x 1,0	6,08
SBV(M)-A25YHSY-2-SA	SBV(M)-JA25YHSY-2-SA	378	42	186	80	90	70	63	M6 x 1,0	8,81
SBV(M)-A29YHSY-1-SA	SBV(M)-JA29YHSY-1-SA	423	42	208	75	108	80	75	M6 x 1,0	11,47
SBV(M)-A33YHSY-2-SA	SBV(M)-JA33YHSY-2-SA	423	42	210,0	75	148	95	91	M6 x 1,0	20,17
SBV(M)-A34YHSY-1-SA	SBV(M)-JA34YHSY-1-SA	423	42	210,0	75	148	95	91	M6 x 1,0	20,17

Note: 1) Applicable to versions with access fitting

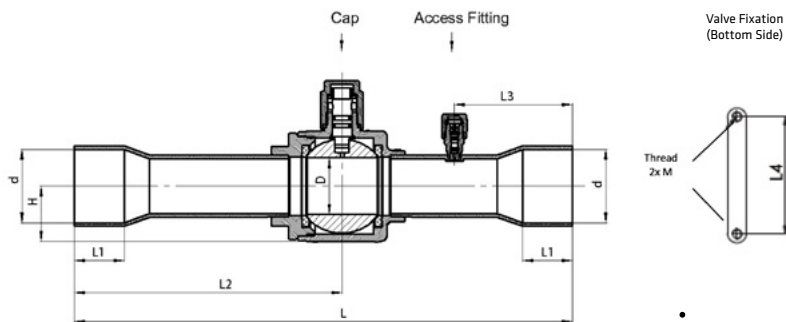


GENERAL CHARACTERISTICS

2. Standard SBV models with REDUCED PORT passage

Without Access Fitting		Connections Ø d ODF		Kv	Wrench Size Cap	PED category		With Access Fitting	
Model	Part Number*	[inch]	[mm]	[m ³ /h]	[mm]	Fluids Group 1**	Fluids Group 2	Model	Part Number*
SBV06-602	10150116502	-	18	13,8	14	4.3	4.3	SBV06-802	10150116402
SBV06-601	10150115002	3/4	-	13,8	14	4.3	4.3	SBV06-801	10150115102
SBV07-601	10150115302	7/8	22	13,8	14	4.3	4.3	SBV07-801	10150087602
SBV09-602	10150116302	-	28	29	17	4.3	4.3	SBV09-802	10150116202
SBV09-601	10150084902	1 1/8	-	29	17	4.3	4.3	SBV09-801	10150115402
SBV11-601	10150102702	1 3/8	35	54,3	17	II	4.3	SBV11-801	10150093102
SBV13-601	10150102502	1 5/8	-	85,5	17	II	4.3	SBV13-801	10150093202
SBV13-602	10150116102	-	42	85,5	17	II	4.3	SBV13-802	10150116002
SBV17-601	10150115502	2 1/8	54	133,7	17	II	I	SBV17-801	10150087502
SBV21-601	10150102602	2 5/8	-	225	19	II	I	-	-
SBV25-601	10150115602	3 1/8	80	380	19	II	I	-	-
SBV29-601	10150115702	3 5/8	92	530	24	II	I	-	-
SBV33-601	10150115802	4 1/8	105	700	24	II	I	-	-
SBV34-601	10150115902	4 1/4	108	700	24	II	I	-	-

- Note:**
- SBV model with different connection sizes available on request
 - * Available also as industrial package. Contact Sanhua for more details





DIMENSIONS & WEIGHT

Part Number		L	L1	L2	L3 ¹⁾	L4	D	H	M	Weight
Without Access Fitting	With Access Fitting	[mm]	[mm]	[mm]	[mm]	[mm]	[mm]	[mm]	[mm]	[kg]
SBV06-602	SBV06-802	185	16	99	46	22	14	16	M4 x 0,7	0,33
SBV06-601	SBV06-801	185	16	99	46	22	14	16	M4 x 0,7	0,33
SBV07-601	SBV07-801	185	17	99	46	22	14	16	M4 x 0,7	0,34
SBV09-602	SBV09-802	208	21	112	53	30	19	20	M4 x 0,7	0,56
SBV09-601	SBV09-801	208	21	112	53	30	19	20	M4 x 0,7	0,56
SBV11-601	SBV11-801	251	25	136	63	38	25	25	M4 x 0,7	0,81
SBV13-301	SBV13-801	281	28	151	66.5	48	32	31	M6 x 1,0	1,51
SBV13-602	SBV13-802	281	28	151	66.5	48	32	31	M6 x 1,0	1,51
SBV17-601	SBV17-801	305	34	167	63	55	38	35	M6 x 1,0	2,31
SBV21-601	-	305	37	135	-	74	50	46	M6 x 1,0	3,80
SBV25-601	-	378	42	186	-	74	60	56	M6 x 1,0	6,58
SBV29-601	-	423	42	208	-	90	70	63	M6 x 1,0	9,35
SBV33-601	-	423	42	210	-	108	80	75	M6 x 1,0	11,71
SBV34-601	-	423	42	210	-	108	80	75	M6 x 1,0	11,76

Note: 1) Applicable to versions with access fitting